



EUMOTORS

CAPACITY OF 100,000 DRONE MOTORS A MONTH

**PROUDLY 100%
MADE IN
KRAKOW, POLAND**



www.eumotors.eu



sales@eumotors.eu

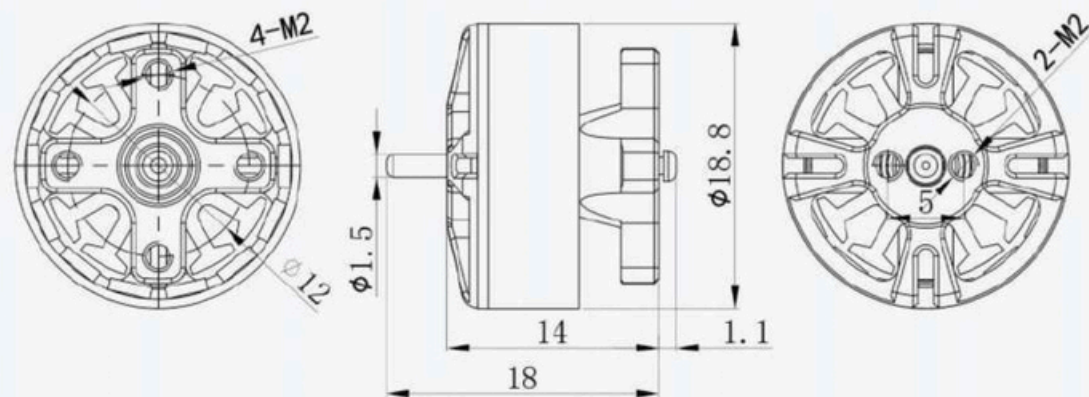
UAV MOTOR

Series FPV 1505



specifications

Motor	1505
KV	4500
Weight(g)	9.1(inc lead wire)
Lead(mm)	100
Dimensions(mm)	18*18.8Φ
Li-Po	2-4s(4.2v/cell)
ESC rec	40A
Prop rec	3in
Temp res(°C)	155
THR rec/axis(kg)	0.1-0.115
Max THR rec for quad(kg)	0.46



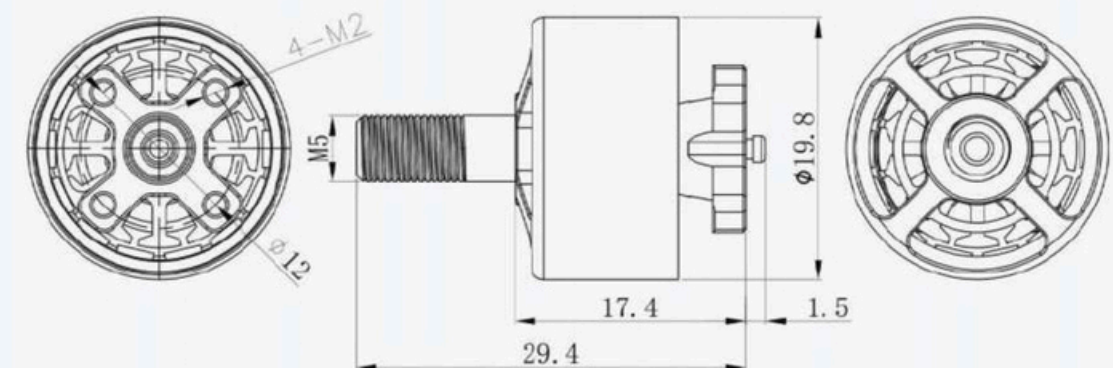
UAV MOTOR

Series FPV 1507



specifications

Motor	1507
KV	2886
Weight(g)	15.5(inc lead wire)
Lead(mm)	135
Dimensions(mm)	29.4*19.8Φ
Li-Po	4-6s(4.2v/cell)
ESC rec	40A
Prop rec	4in
Temp res(°C)	155
THR rec/axis(kg)	0.08-0.15
Max THR rec for quad(kg)	0.6



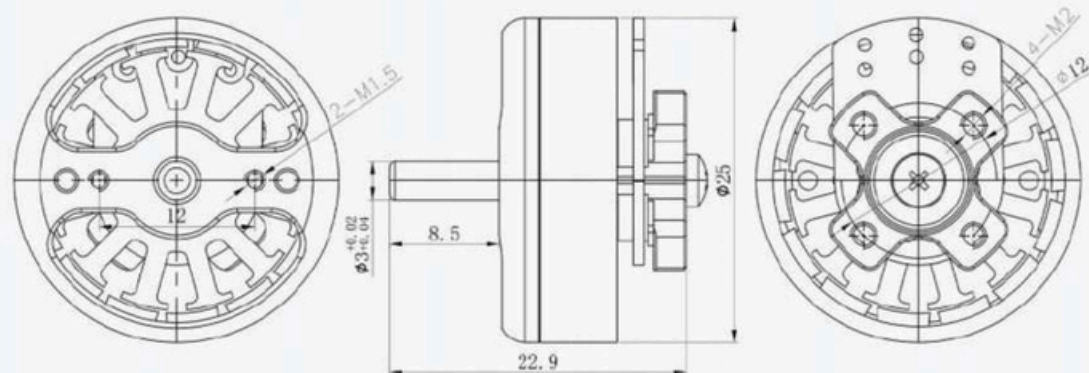
UAV MOTOR

Series FPV 2004



specifications

Motor	2004
KV	850/998
Weight(g)	19.6(inc lead wire)
Lead(mm)	135
Dimensions(mm)	22.9*25Φ
Li-Po	4s(4.2v/cell)
ESC rec	40A
Prop rec	7in
Temp res(°C)	155
THR rec/axis(kg)	0.077-0.2
Max THR rec for quad(kg)	0.8



**Precision
engineered
Performance
driven**



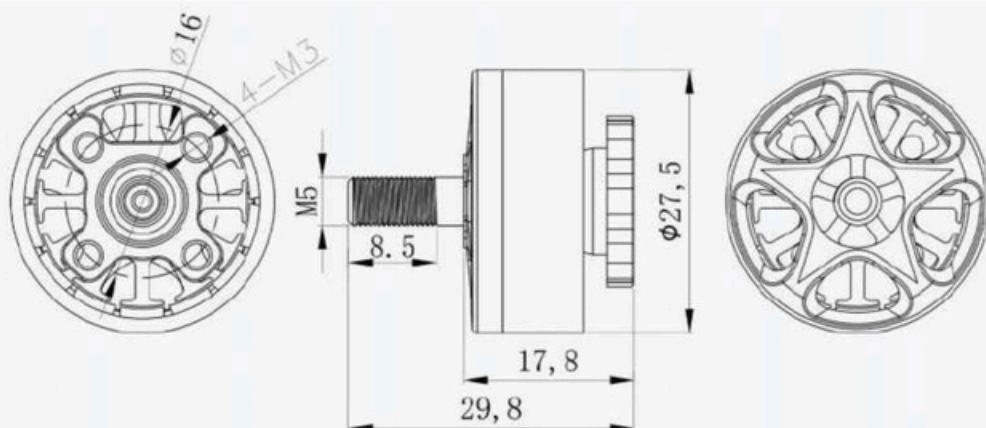
UAV MOTOR

Series FPV 2207



specifications

Motor	2207
KV	1750
Weight(g)	34.7(inc lead wire)
Lead(mm)	150
Dimensions(mm)	29.8*27.5Φ
Li-Po	6s(4.2v/cell)
ESC rec	40A
Prop rec	5in
Temp res(°C)	155
THR rec/axis(kg)	0.6-1
Max THR rec for quad(kg)	4



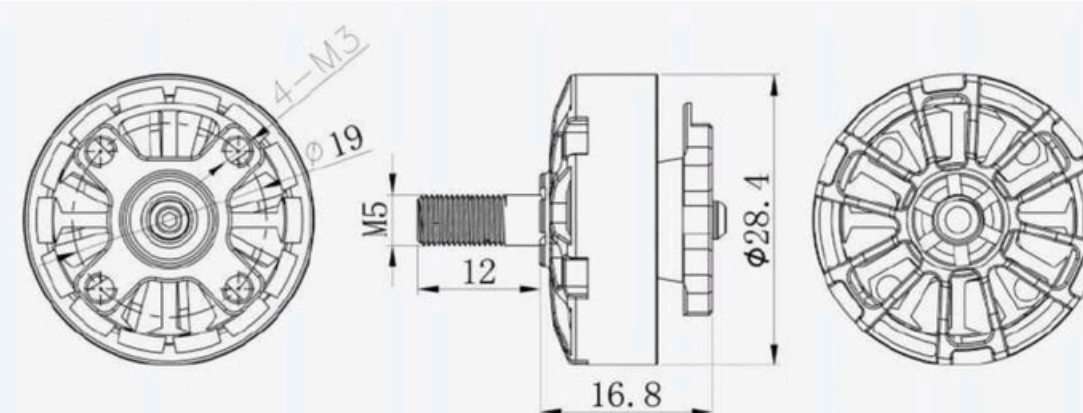
UAV MOTOR

Series FPV 2306



specifications

Motor	2306
KV	1900
Weight(g)	30.4(inc lead wire)
Lead(mm)	135
Dimensions(mm)	28.8*28.4Φ
Li-Po	4-6s(4.2v/cell)
ESC rec	40A
Prop rec	5in
Temp res(°C)	155
THR rec/axis(kg)	0.4-0.7
Max THR rec for quad(kg)	2.8



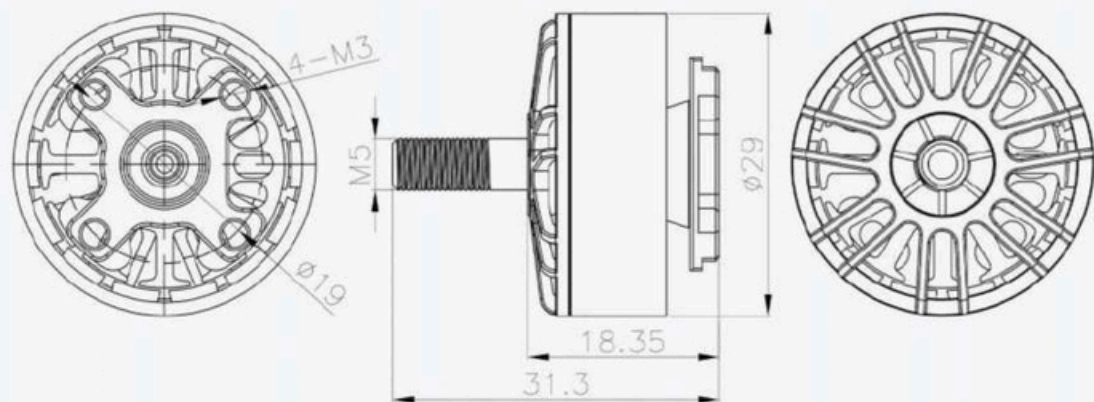
UAV MOTOR

Series FPV 2407



specifications

Motor	2407
KV	1750
Weight(g)	33(inc lead wire)
Lead(mm)	135
Dimensions(mm)	31.3*29Φ
Li-Po	4-6s(4.2v/cell)
ESC rec	40A
Prop rec	5in
Temp res(°C)	155
THR rec/axis(kg)	0.2-0.4
Max THR rec for quad(kg)	1.6



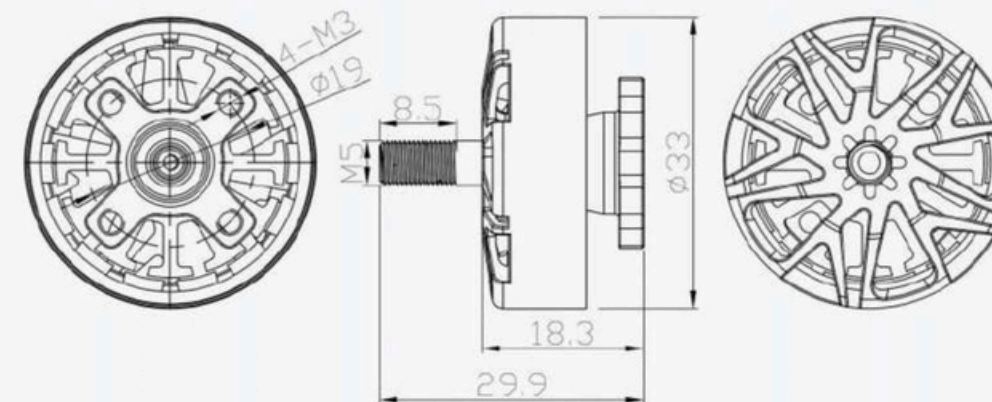
UAV MOTOR

Series FPV 2605



specifications

Motor	2605
KV	1800
Weight(g)	47(inc lead wire)
Lead(mm)	150
Dimensions(mm)	29.9*33Φ
Li-Po	4-6s(4.2v/cell)
ESC rec	40A
Prop rec	5-6in
Temp res(°C)	180
THR rec/axis(kg)	0.7-0.9
Max THR rec for quad(kg)	3.6



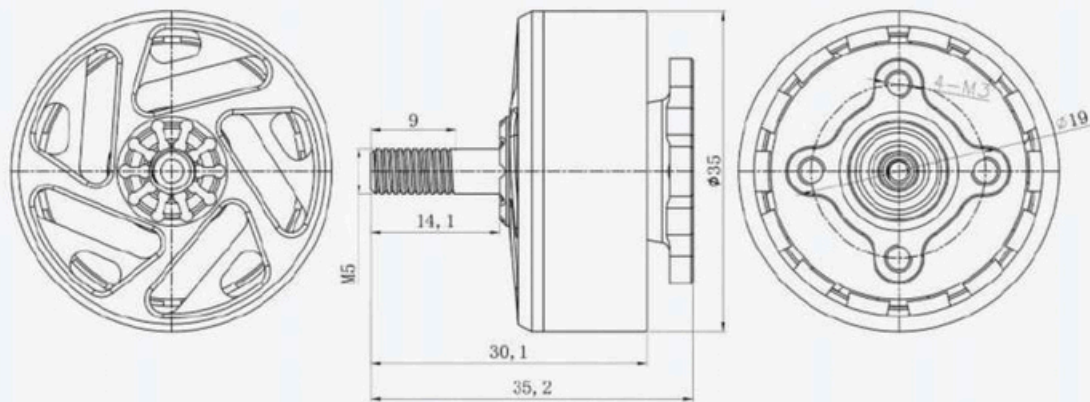
UAV MOTOR

Series FPV F28



specifications

Motor	F28
KV	1280
Weight(g)	63.4(inc lead wire)
Lead(mm)	150
Dimensions(mm)	35.2*35Φ
Li-Po	4-6s(4.2v/cell)
ESC rec	40A
Prop rec	5-8in
Temp res(°C)	180
THR rec/axis(kg)	0.8-2
Max THR rec for quad(kg)	8



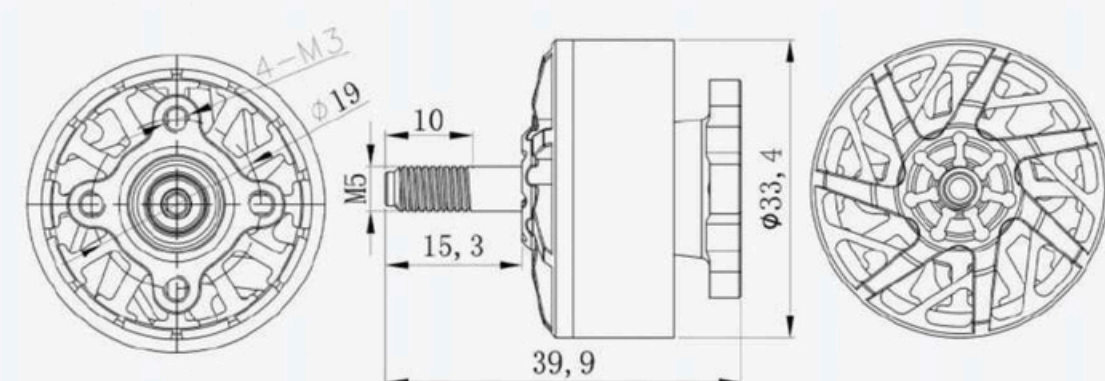
UAV MOTOR

Series FPV 2807



specifications

Motor	2807
KV	1200/1300
Weight(g)	47(inc lead wire)
Lead(mm)	150
Dimensions(mm)	39.9*33.4Φ
Li-Po	4-6s(4.2v/cell)
ESC rec	40A
Prop rec	5-8in
Temp res(°C)	180
THR rec/axis(kg)	0.45-1.7
Max THR rec for quad(kg)	6.8



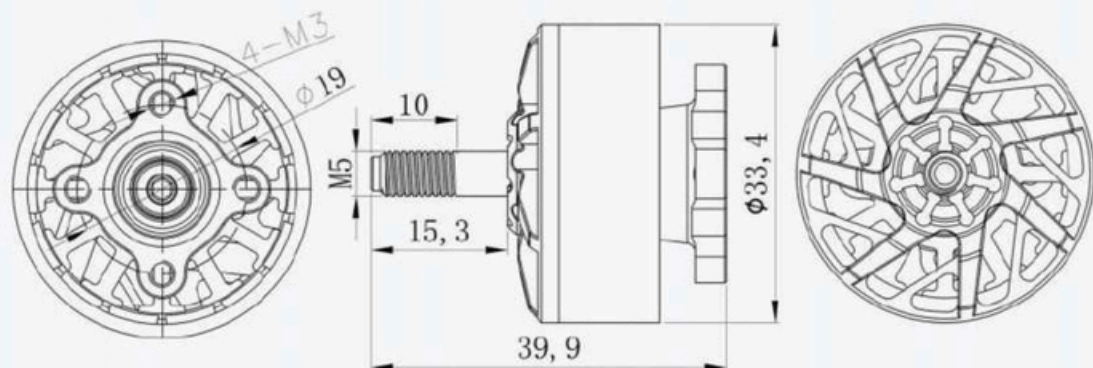
UAV MOTOR

Series FPV 2808



specifications

Motor	2808
KV	1100
Weight(g)	63(inc lead wire)
Lead(mm)	300
Dimensions(mm)	39.9*33.4Φ
Li-Po	4-6s(4.2v/cell)
ESC rec	40A
Prop rec	7-8in
Temp res(°C)	180
THR rec/axis(kg)	0.6-1.5
Max THR rec for quad(kg)	6



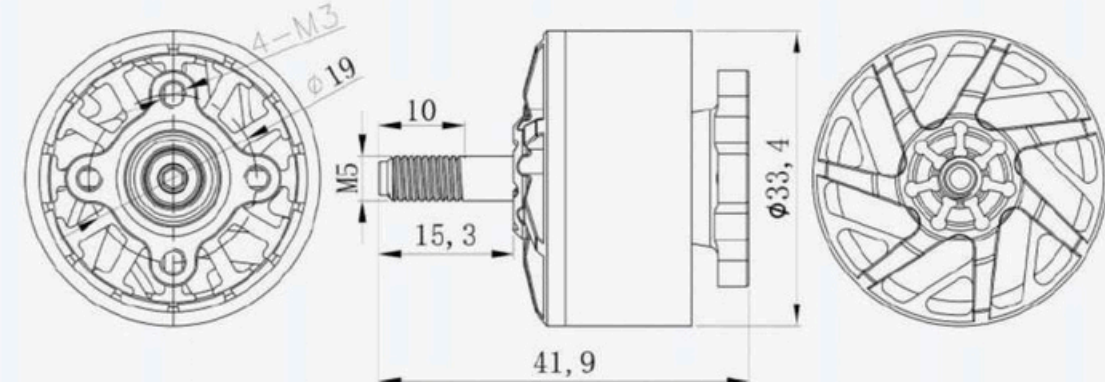
UAV MOTOR

Series FPV 2812



specifications

Motor	2812
KV	900
Weight(g)	75(inc lead wire)
Lead(mm)	300
Dimensions(mm)	41.9*33.4Φ
Li-Po	6s(4.2v/cell)
ESC rec	50A
Prop rec	9in
Temp res(°C)	180
THR rec/axis(kg)	1-1.8
Max THR rec for quad(kg)	7.2



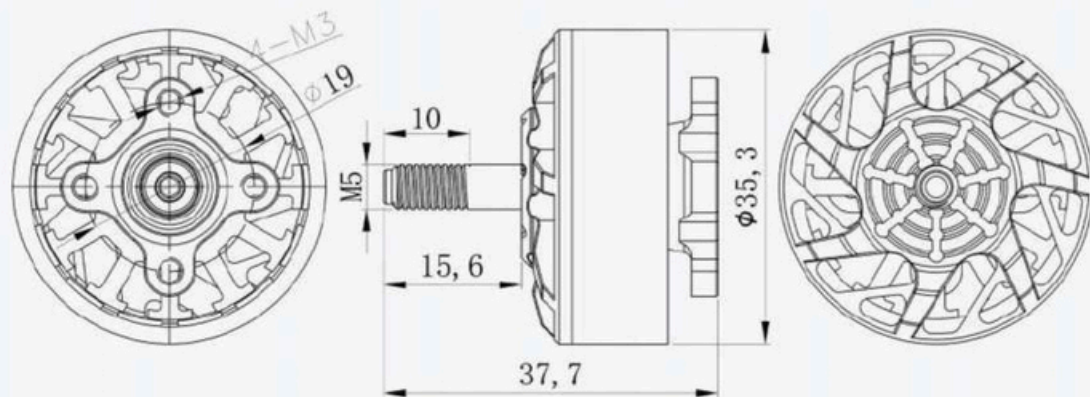
UAV MOTOR

Series FPV 3008



specifications

Motor	3008
KV	1300
Weight(g)	63(inc lead wire)
Lead(mm)	300
Dimensions(mm)	37.7*35.3Φ
Li-Po	6s(4.2v/cell)
ESC rec	50A
Prop rec	7in
Temp res(°C)	180
THR rec/axis(kg)	0.5-1.5
Max THR rec for quad(kg)	6



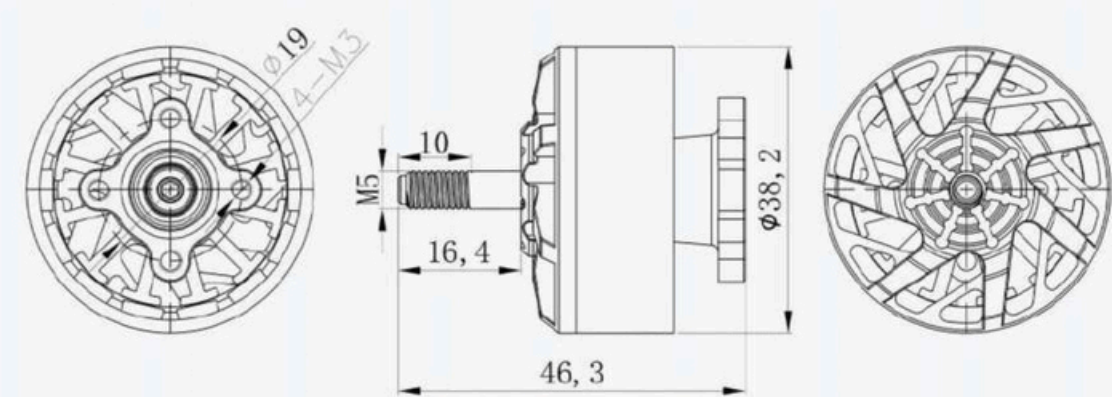
UAV MOTOR

Series FPV 3110



specifications

Motor	3110
KV	900
Weight(g)	90(inc lead wire)
Lead(mm)	300
Dimensions(mm)	46.3*38.2Φ
Li-Po	6s(4.2v/cell)
ESC rec	40A
Prop rec	9-10in
Temp res(°C)	180
THR rec/axis(kg)	0.8-1.7
Max THR rec for quad(kg)	6.8



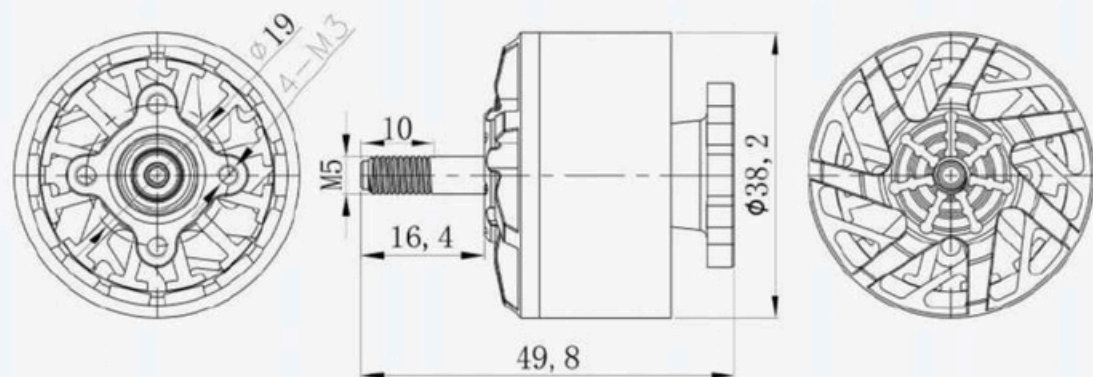
UAV MOTOR

Series FPV 3115



specifications

Motor	3115
KV	800
Weight(g)	119(inc lead wire)
Lead(mm)	300
Dimensions(mm)	49.8*38.2Φ
Li-Po	6s(4.2v/cell)
ESC rec	40A
Prop rec	10in
Temp res(°C)	180
THR rec/axis(kg)	0.8-1.8
Max THR rec for quad(kg)	7.2



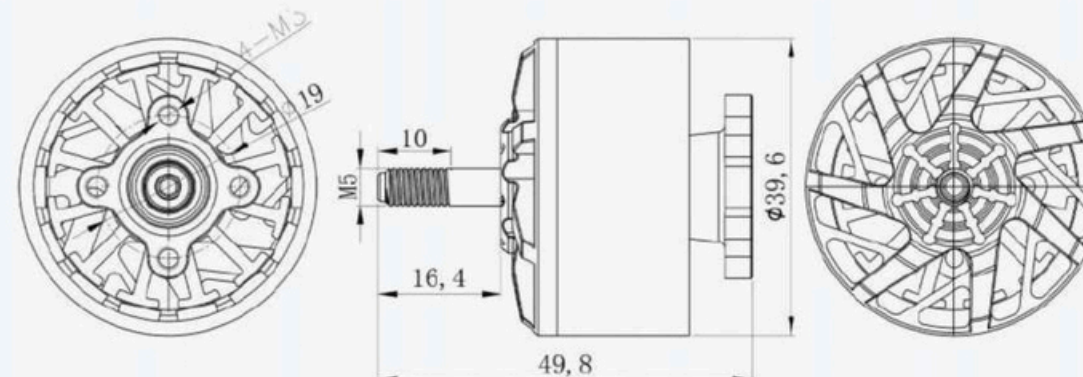
UAV MOTOR

Series FPV 3214



specifications

Motor	3214
KV	850
Weight(g)	152(inc lead wire)
Lead(mm)	350
Dimensions(mm)	49.8*39.6Φ
Li-Po	6s(4.2v/cell)
ESC rec	80A
Prop rec	9-10in
Temp res(°C)	180
THR rec/axis(kg)	0.7-1.8
Max THR rec for quad(kg)	7.2



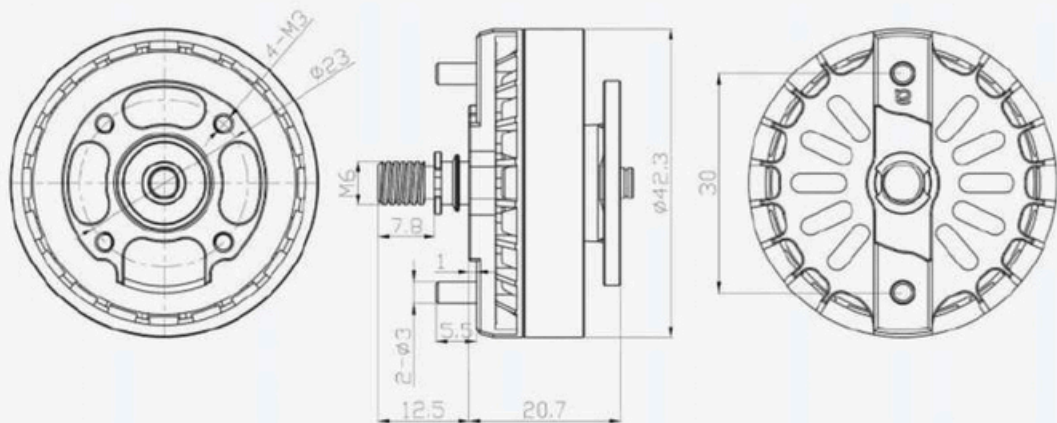
UAV MOTOR

Series FPV 3607



specifications

Motor	3607
KV	400
Weight(g)	78.3(inc lead wire)
Lead(mm)	150
Dimensions(mm)	33.2*42.3Φ
Li-Po	6s(4.2v/cell)
ESC rec	40A
Prop rec	13in
Temp res(°C)	155
THR rec/axis(kg)	0.25-0.6
Max THR rec for quad(kg)	2.4



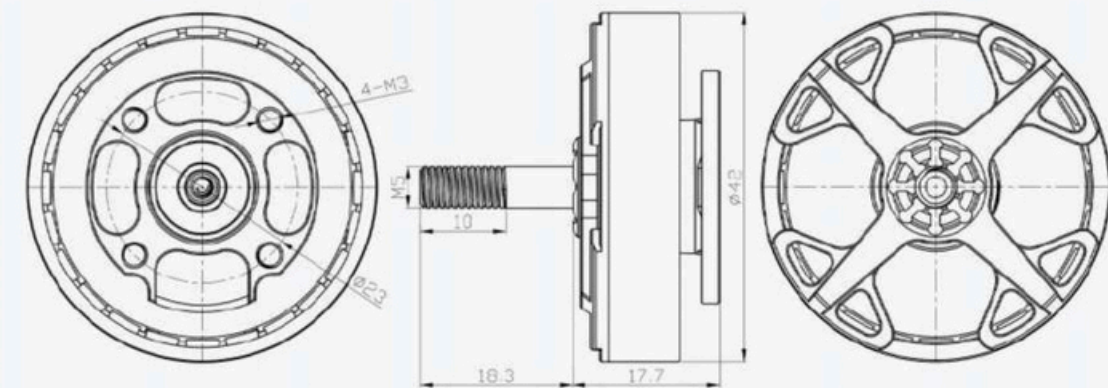
UAV MOTOR

Series FPV F36



specifications

Motor	F36
KV	750
Weight(g)	71.2(inc lead wire)
Lead(mm)	150
Dimensions(mm)	36*42Φ
Li-Po	4s(4.2v/cell)
ESC rec	40A
Prop rec	12-15in
Temp res(°C)	180
THR rec/axis(kg)	0.45-1.3
Max THR rec for quad(kg)	5.2



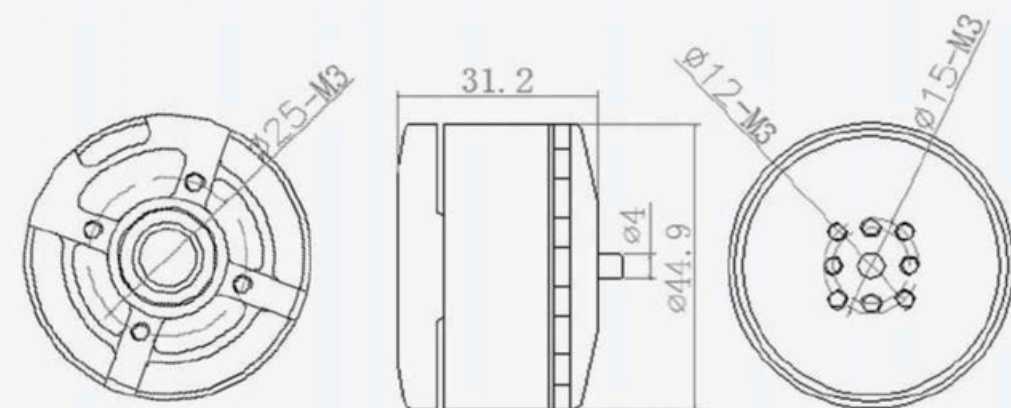
UAV MOTOR

Series E E15Pro



specifications

Motor	E15Pro
KV	320
Weight(g)	140(inc lead wire)
Lead(mm)	135
Dimensions(mm)	31.2*44.9Φ
Li-Po	6-12s(4.2v/cell)
ESC rec	40A
Prop rec	20in
Temp res(°C)	155
THR rec/axis(kg)	1-2
Max THR rec for quad(kg)	8





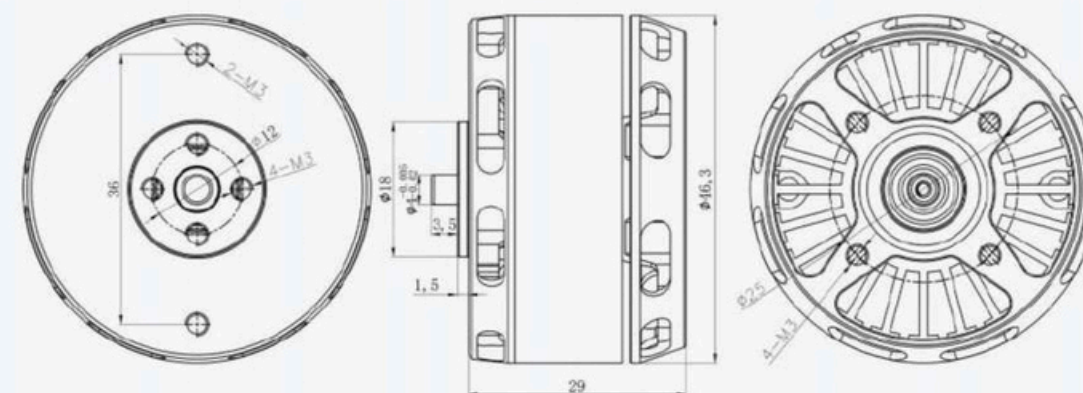
UAV MOTOR

Series F F418Pro



specifications

Motor	F418Pro
KV	370/410
Weight(g)	135(inc lead wire)
Lead(mm)	150
Dimensions(mm)	29*46.3Φ
Li-Po	6s(4.2v/cell)
ESC rec	40A
Prop rec	15-17in
Temp res(°C)	155
THR rec/axis(kg)	0.7-3
Max THR rec for quad(kg)	12



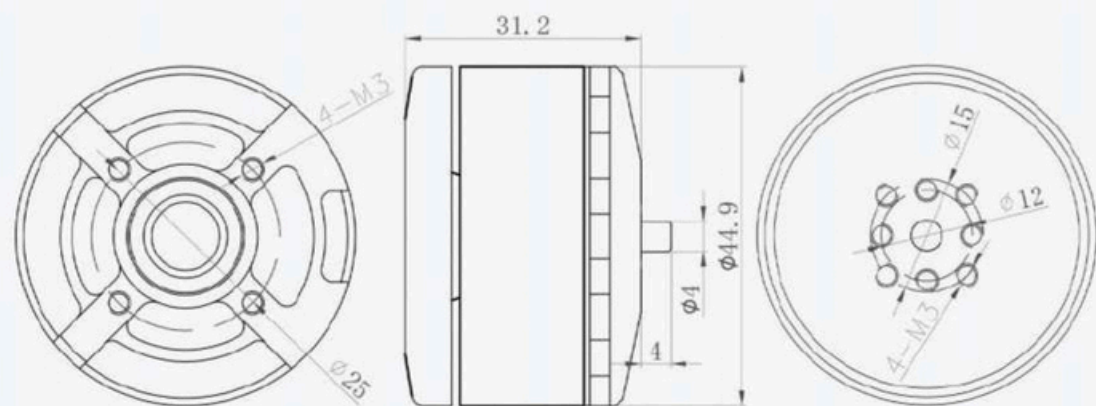
UAV MOTOR

Series 40 4014



specifications

Motor	4014
KV	320/420
Weight(g)	145(inc lead wire)
Lead(mm)	135
Dimensions(mm)	31.2*44.9Φ
Li-Po	6s(4.2v/cell)
ESC rec	40A
Prop rec	15-17in
Temp res(°C)	155
THR rec/axis(kg)	0.5-2.2
Max THR rec for quad(kg)	8.8



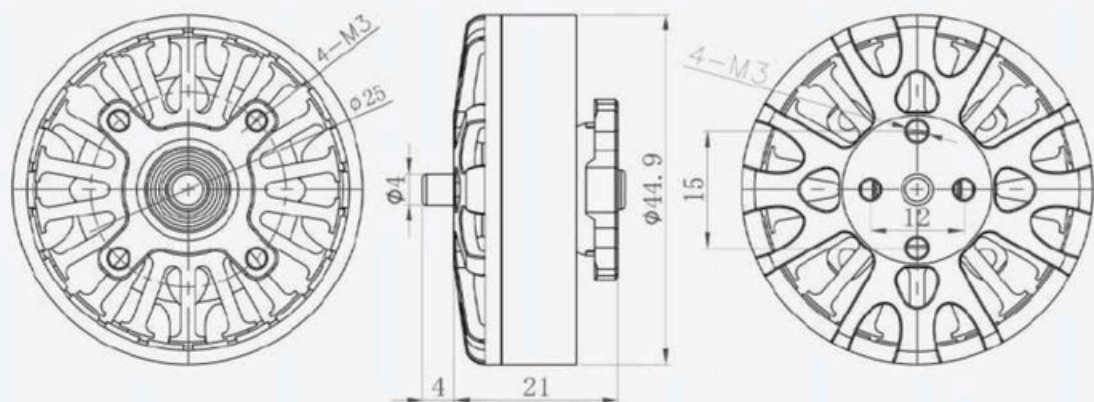
UAV MOTOR

Series 40 4008



specifications

Motor	4008
KV	380
Weight(g)	90(inc lead wire)
Lead(mm)	150
Dimensions(mm)	21*44.9Φ
Li-Po	6s(4.2v/cell)
ESC rec	40A
Prop rec	16-17in
Temp res(°C)	180
THR rec/axis(kg)	0.85-1.5
Max THR rec for quad(kg)	6



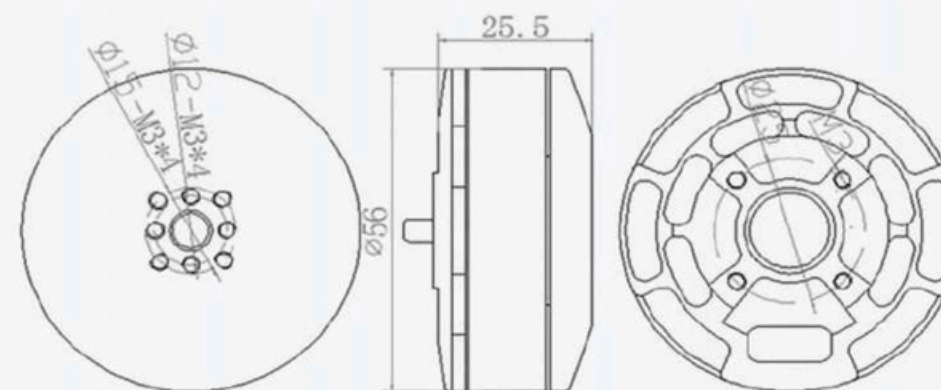
UAV MOTOR

Series 50 5008



specifications

Motor	5008
KV	240/340/400
Weight(g)	140(inc lead wire)
Lead(mm)	100
Dimensions(mm)	25.5*56Φ
Li-Po	6s(4.2v/cell)
ESC rec	40-80A
Prop rec	18-22in
Temp res(°C)	155
THR rec/axis(kg)	0.8-2.2
Max THR rec for quad(kg)	8.8



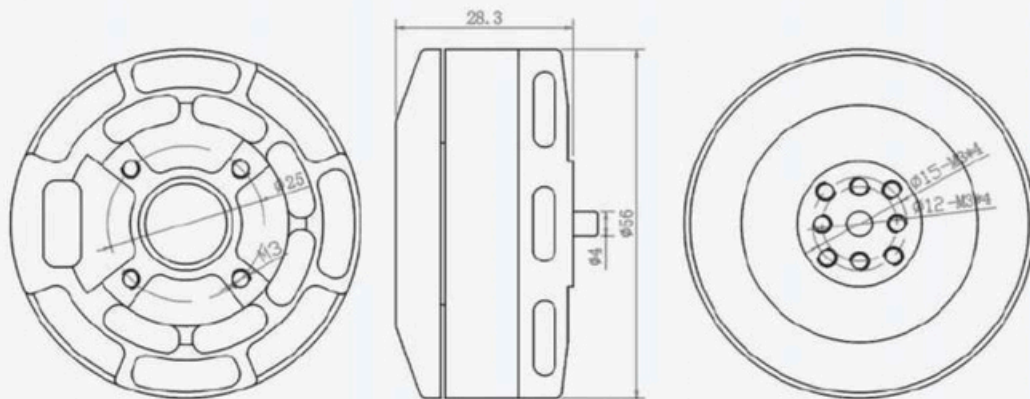
UAV MOTOR

Series 50 5010



specifications

Motor	5010
KV	240
Weight(g)	161(inc lead wire)
Lead(mm)	100
Dimensions(mm)	28.3*56Φ
Li-Po	6s(4.2v/cell)
ESC rec	80A
Prop rec	20in
Temp res(°C)	155
THR rec/axis(kg)	1-2.5
Max THR rec for quad(kg)	10



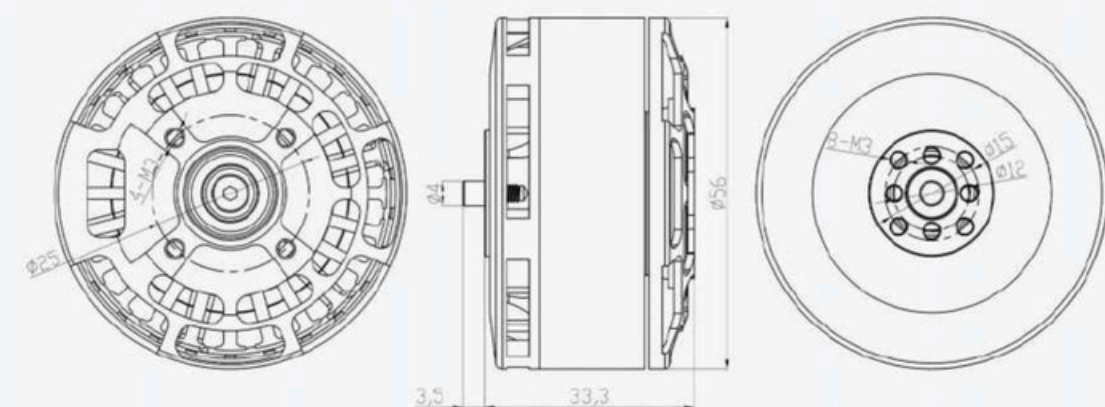
UAV MOTOR

Series 50 5015



specifications

Motor	5015
KV	170
Weight(g)	216(inc lead wire)
Lead(mm)	100
Dimensions(mm)	33.3*56Φ
Li-Po	12s(4.2v/cell)
ESC rec	80A
Prop rec	22in
Temp res(°C)	155
THR rec/axis(kg)	2-4.5
Max THR rec for quad(kg)	18



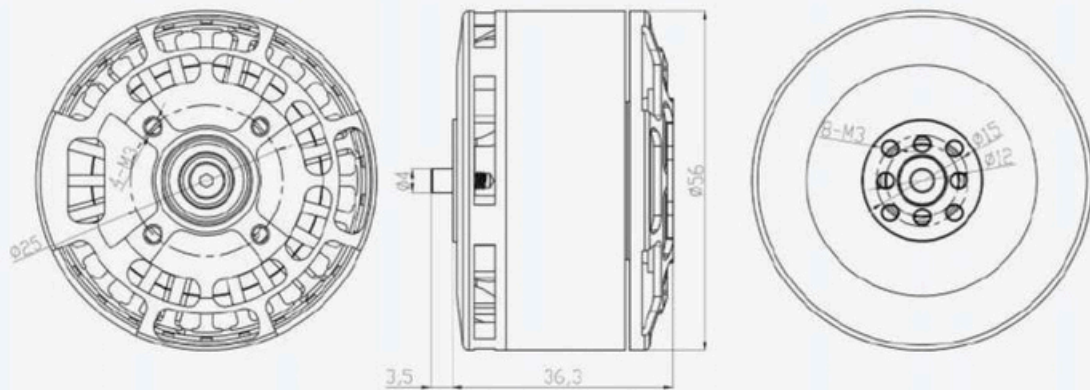
UAV MOTOR

Series 50 5018



specifications

Motor	5018
KV	260
Weight(g)	250(inc lead wire)
Lead(mm)	100
Dimensions(mm)	36.3*56Φ
Li-Po	6-12s(4.2v/cell)
ESC rec	80A
Prop rec	17-20in
Temp res(°C)	155
THR rec/axis(kg)	2-5
Max THR rec for quad(kg)	20



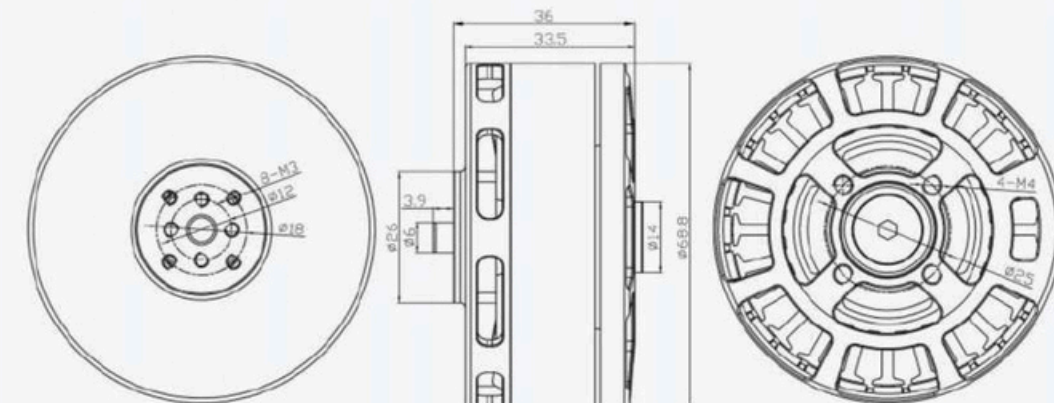
UAV MOTOR

Series M M605



specifications

Motor	M605
KV	230
Weight(g)	340(inc lead wire)
Lead(mm)	135
Dimensions(mm)	36*68.8Φ
Li-Po	12s(4.2v/cell)
ESC rec	80A
Prop rec	18-24in
Temp res(°C)	180
THR rec/axis(kg)	2-8
Max THR rec for quad(kg)	32



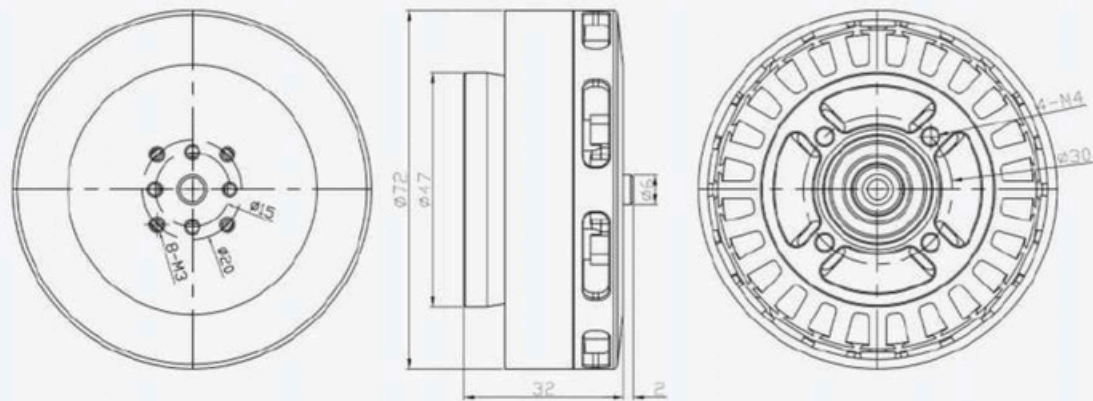
UAV MOTOR

Series M6 M612



specifications

Motor	M612
KV	160
Weight(g)	277(inc lead wire)
Lead(mm)	135
Dimensions(mm)	32*72Φ
Li-Po	12s(4.2v/cell)
ESC rec	80A
Prop rec	24in
Temp res(°C)	180
THR rec/axis(kg)	2-4.6
Max THR rec for quad(kg)	18.4



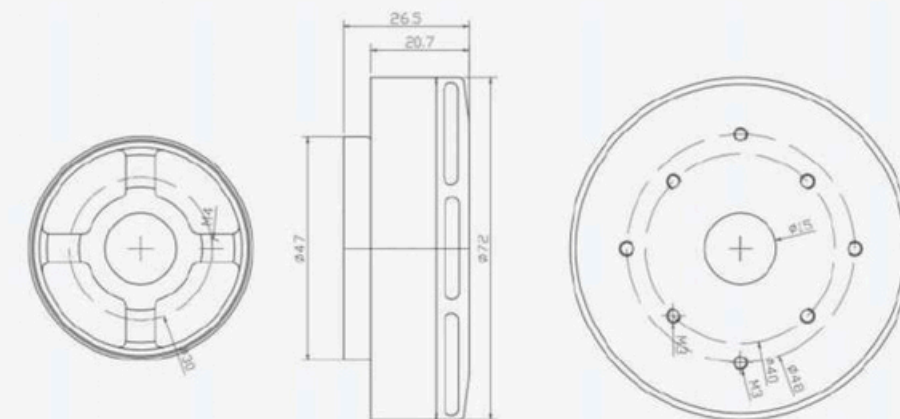
UAV MOTOR

Series M6 M612 Hollow Shaft



specifications

Motor	M612 Hollow Shaft
KV	160
Weight(g)	286(inc lead wire)
Lead(mm)	135
Dimensions(mm)	26.5*72Φ
Li-Po	12s(4.2v/cell)
ESC rec	80A
Prop rec	24in
Temp res(°C)	180
THR rec/axis(kg)	2-4.6
Max THR rec for quad(kg)	18.4



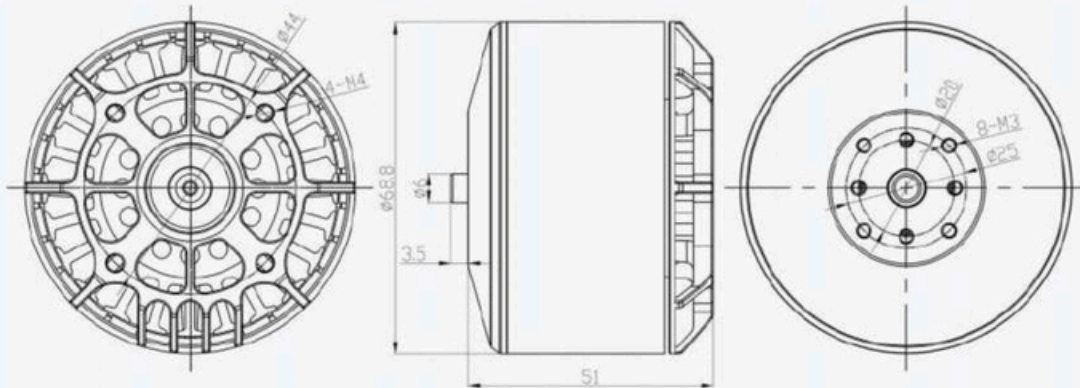
UAV MOTOR

Series 60 6230



specifications

Motor	6230
KV	210/162
Weight(g)	600(inc lead wire)
Lead(mm)	135
Dimensions(mm)	51*68.8Φ
Li-Po	12s(4.2v/cell)
ESC rec	80-100A
Prop rec	22-26in
Temp res(°C)	180
THR rec/axis(kg)	4-9
Max THR rec for quad(kg)	36



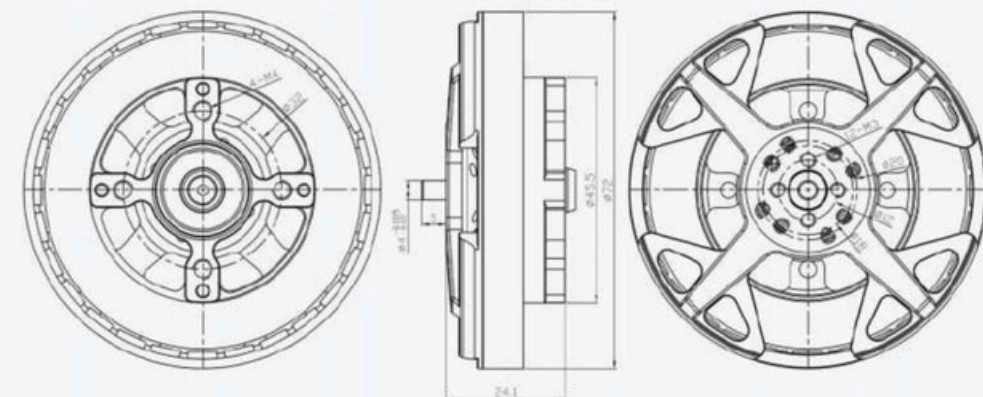
UAV MOTOR

Series 60 6406



specifications

Motor	6406
KV	160
Weight(g)	163(inc lead wire)
Lead(mm)	135
Dimensions(mm)	24.1*72Φ
Li-Po	12s(4.2v/cell)
ESC rec	80A
Prop rec	18-22in
Temp res(°C)	180
THR rec/axis(kg)	0.7-2.5
Max THR rec for quad(kg)	10



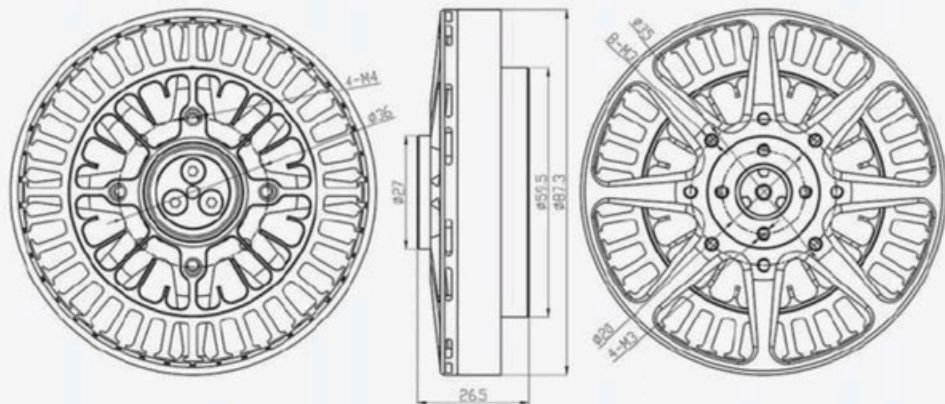
UAV MOTOR

Series 80 U8108



specifications

Motor	U8108
KV	85/100
Weight(g)	248(inc lead wire)
Lead(mm)	135
Dimensions(mm)	26.5*87.3Φ
Li-Po	12s(4.2v/cell)
ESC rec	80A
Prop rec	28-29in
Temp res(°C)	180
THR rec/axis(kg)	2.8-6.3
Max THR rec for quad(kg)	25.2



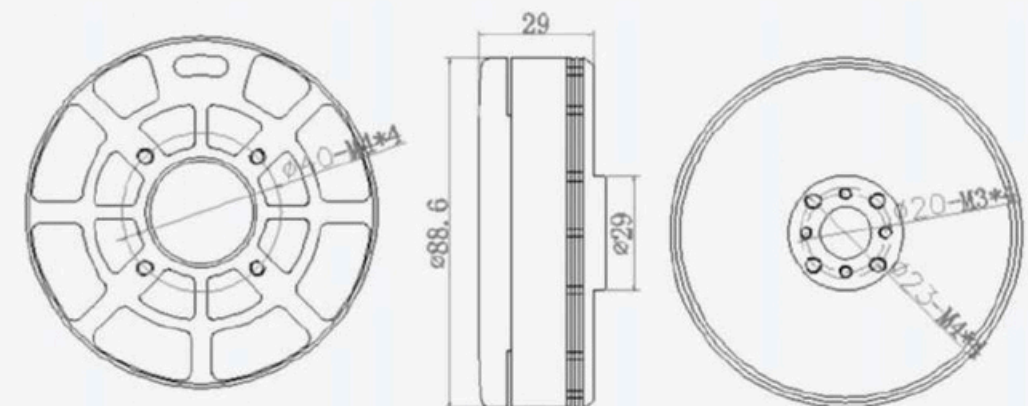
UAV MOTOR

Series 80 E4500



specifications

Motor	E4500
KV	100
Weight(g)	385(inc lead wire)
Lead(mm)	135
Dimensions(mm)	29*88.6Φ
Li-Po	12s(4.2v/cell)
ESC rec	80A
Prop rec	28-30in
Temp res(°C)	180
THR rec/axis(kg)	2-7
Max THR rec for quad(kg)	28



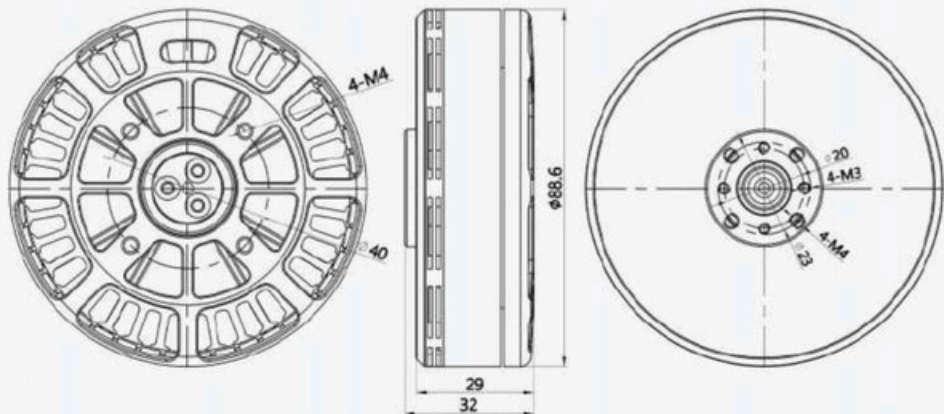
UAV MOTOR

Series 80 8112



specifications

Motor	8112
KV	103/128
Weight(g)	360(inc lead wire)
Lead(mm)	135
Dimensions(mm)	32*88.6Φ
Li-Po	12s(4.2v/cell)
ESC rec	80A
Prop rec	30in
Temp res(°C)	180
THR rec/axis(kg)	3-8.5
Max THR rec for quad(kg)	34



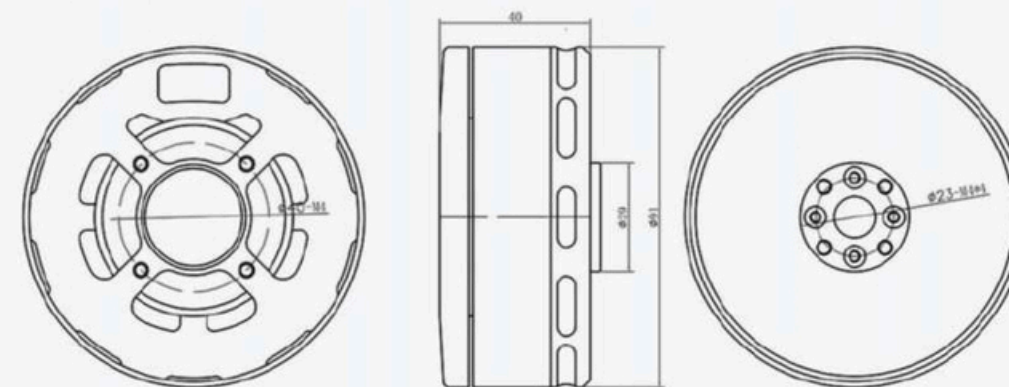
UAV MOTOR

Series 80 8318



specifications

Motor	8318
KV	90
Weight(g)	697(inc lead wire)
Lead(mm)	135
Dimensions(mm)	40*91Φ
Li-Po	12s(4.2v/cell)
ESC rec	100A
Prop rec	22-36in
Temp res(°C)	180
THR rec/axis(kg)	2-10
Max THR rec for quad(kg)	40



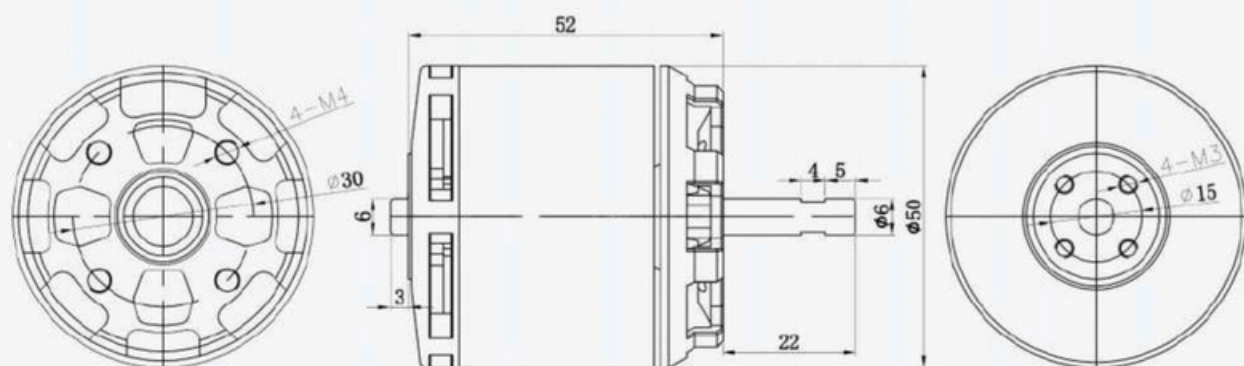
UAV MOTOR

Series T T5



specifications

Motor	T5
KV	247
Weight(g)	395/(inc lead wire)
Lead(mm)	150
Dimensions(mm)	74*50Φ
Li-Po	12s(4.2v/cell)
ESC rec	80A
Prop rec	16in
Temp res(°C)	180
THR rec/axis(kg)	1.5-4
Max THR rec for quad(kg)	16



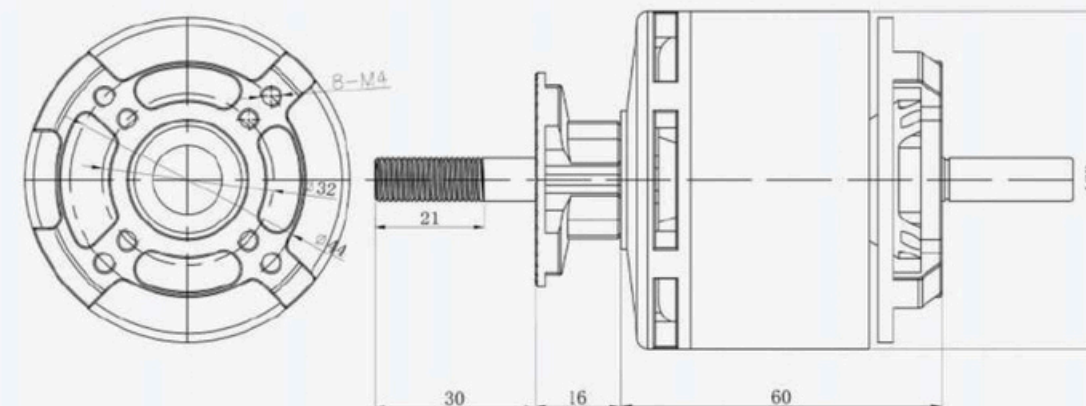
UAV MOTOR

Series T T6



specifications

Motor	T6
KV	220
Weight(g)	668(inc lead wire)
Lead(mm)	150
Dimensions(mm)	131*63Φ
Li-Po	12s(4.2v/cell)
ESC rec	80A
Prop rec	18-20in
Temp res(°C)	180
THR rec/axis(kg)	2-6
Max THR rec for quad(kg)	24



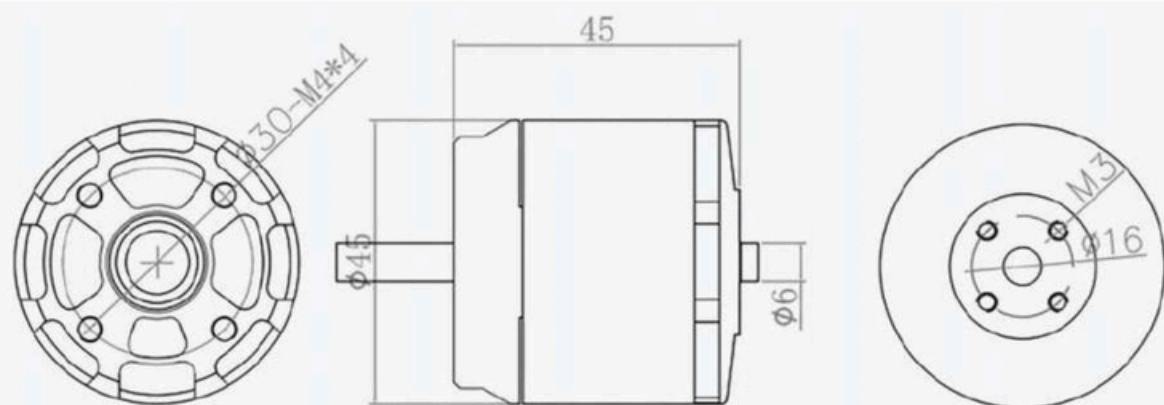
UAV MOTOR

Series T T395



specifications

Motor	T395
KV	200/470
Weight(g)	255(inc lead wire)
Lead(mm)	150
Dimensions(mm)	45*45Φ
Li-Po	12s(4.2v/cell)
ESC rec	80A
Prop rec	16in
Temp res(°C)	180
THR rec/axis(kg)	1.4-2.5
Max THR rec for quad(kg)	10



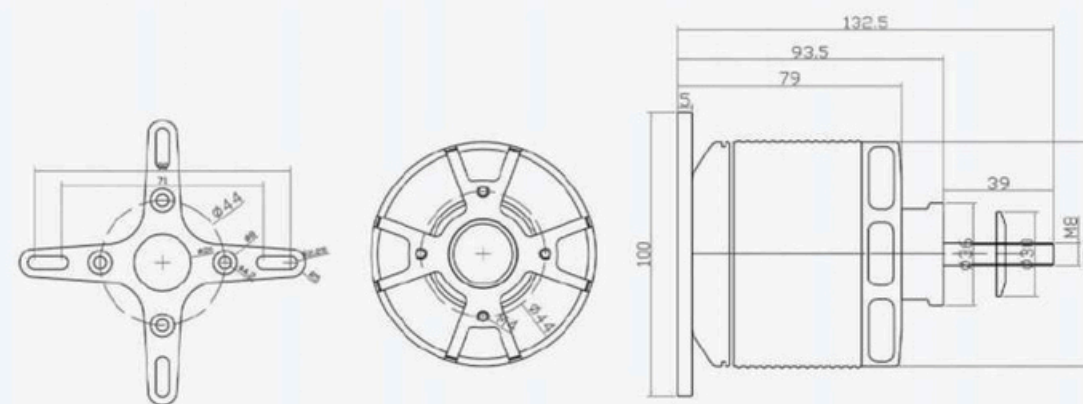
UAV MOTOR

Series T T35



specifications

Motor	T35
KV	180/220
Weight(g)	1083(inc lead wire)
Lead(mm)	150
Dimensions(mm)	132.5*79Φ
Li-Po	12s(4.2v/cell)
ESC rec	80A
Prop rec	20-22in
Temp res(°C)	180
THR rec/axis(kg)	3.5-15
Max THR rec for quad(kg)	60



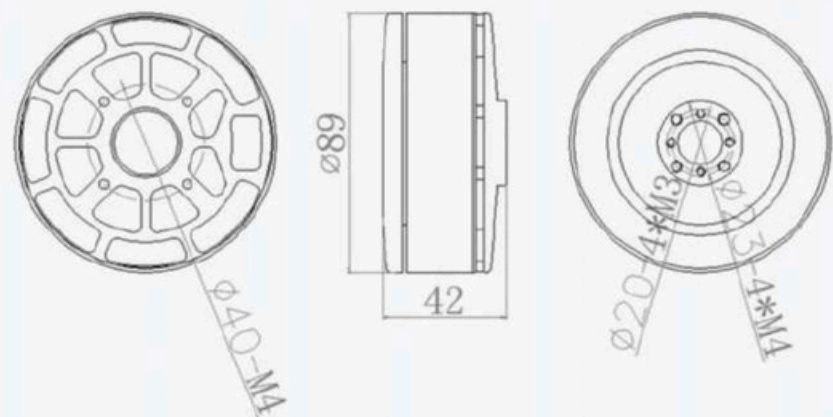
UAV MOTOR

Series P P20



specifications

Motor	P20
KV	100
Weight(g)	620(inc lead wire)
Lead(mm)	150
Dimensions(mm)	42*89Φ
Li-Po	12s(4.2v/cell)
ESC rec	80A
Prop rec	30in
Temp res(°C)	180
THR rec/axis(kg)	4.5-9
Max THR rec for quad(kg)	36



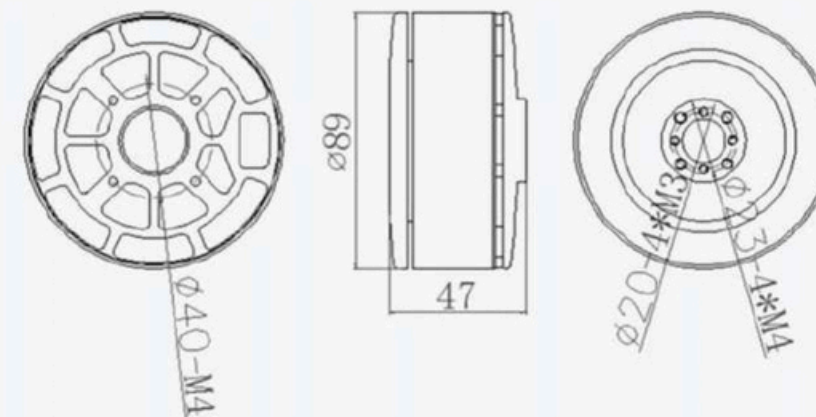
UAV MOTOR

Series P P25



specifications

Motor	P25
KV	120
Weight(g)	760(inc lead wire)
Lead(mm)	150
Dimensions(mm)	47*89Φ
Li-Po	12s(4.2v/cell)
ESC rec	80A
Prop rec	30in
Temp res(°C)	180
THR rec/axis(kg)	5-11
Max THR rec for quad(kg)	44



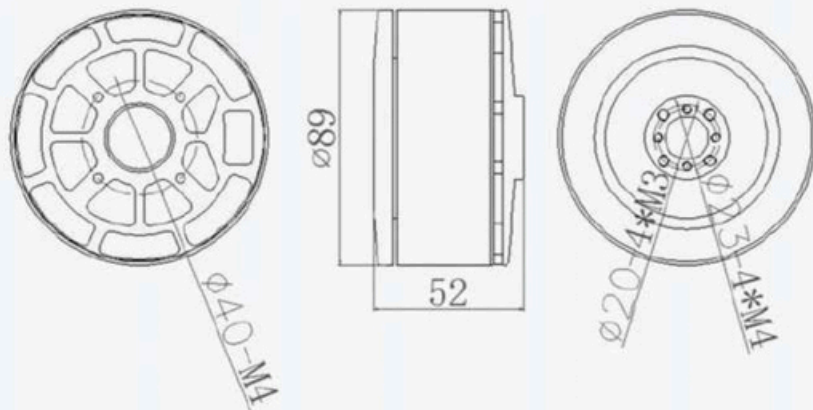
UAV MOTOR

Series P P30



specifications

Motor	P30
KV	100
Weight(g)	892(inc lead wire)
Lead(mm)	150
Dimensions(mm)	52*89Φ
Li-Po	12s(4.2v/cell)
ESC rec	100A
Prop rec	30-42in
Temp res(°C)	180
THR rec/axis(kg)	3.6-15.6
Max THR rec for quad(kg)	62.4



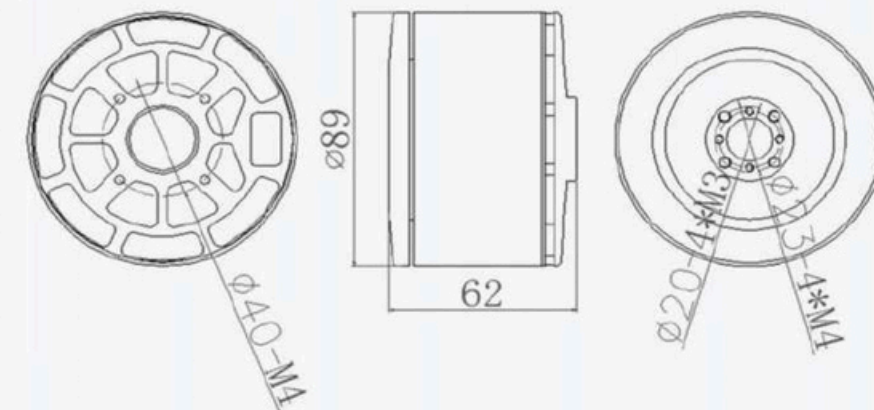
UAV MOTOR

Series P P40



specifications

Motor	P40
KV	100
Weight(g)	1213(inc lead wire)
Lead(mm)	150
Dimensions(mm)	62*89Φ
Li-Po	12s(4.2v/cell)
ESC rec	100A
Prop rec	28-36in
Temp res(°C)	180
THR rec/axis(kg)	4-18.4
Max THR rec for quad(kg)	73.6



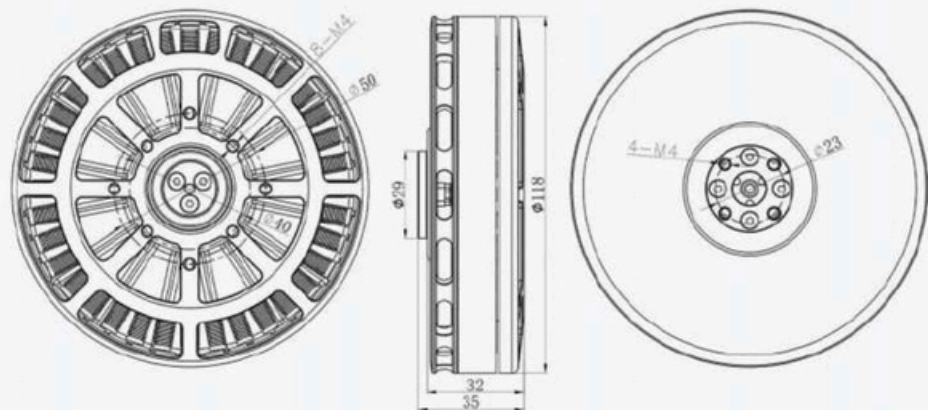
UAV MOTOR

Series M M10



specifications

Motor	M10
KV	100
Weight(g)	613(inc lead wire)
Lead(mm)	150
Dimensions(mm)	35*118Φ
Li-Po	12s(4.2v/cell)
ESC rec	80A
Prop rec	30-36in
Temp res(°C)	180
THR rec/axis(kg)	4-12
Max THR rec for quad(kg)	48



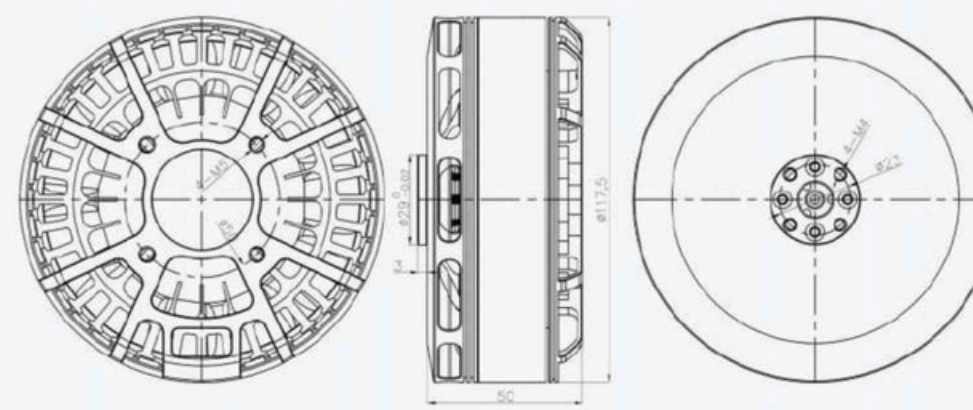
UAV MOTOR

Series M M20



specifications

Motor	M20
KV	135
Weight(g)	1093(inc lead wire)
Lead(mm)	150
Dimensions(mm)	50*117.5Φ
Li-Po	12s(4.2v/cell)
ESC rec	180A
Prop rec	32in
Temp res(°C)	180
THR rec/axis(kg)	12-18
Max THR rec for quad(kg)	72



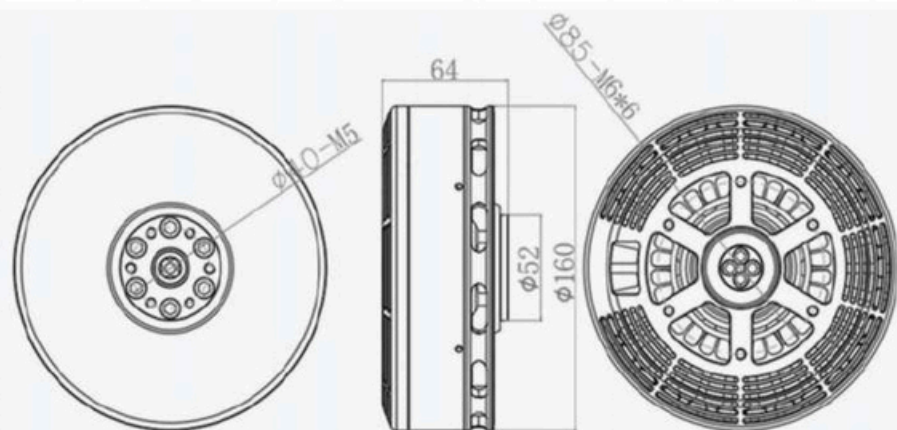
UAV MOTOR

Series KG KG35



specifications

Motor	KG35
KV	10
Weight(g)	2800(inc lead wire)
Lead(mm)	150
Dimensions(mm)	64*160Φ
Li-Po	100s(4.2v/cell)
ESC rec	60A
Prop rec	47.5in
Temp res(°C)	180
THR rec/axis(kg)	35
Max THR rec for quad(kg)	140



UAV MOTOR

Series KG KG45



specifications

Motor	KG45
KV	13
Weight(g)	4200(inc lead wire)
Lead(mm)	150
Dimensions(mm)	78.5*159.6Φ
Li-Po	100s(4.2v/cell)
ESC rec	90A
Prop rec	55in
Temp res(°C)	180
THR rec/axis(kg)	45
Max THR rec for quad(kg)	180

